



TRINITY GLASS
INTERNATIONAL

33615 1st Way S, Federal Way, WA 98003

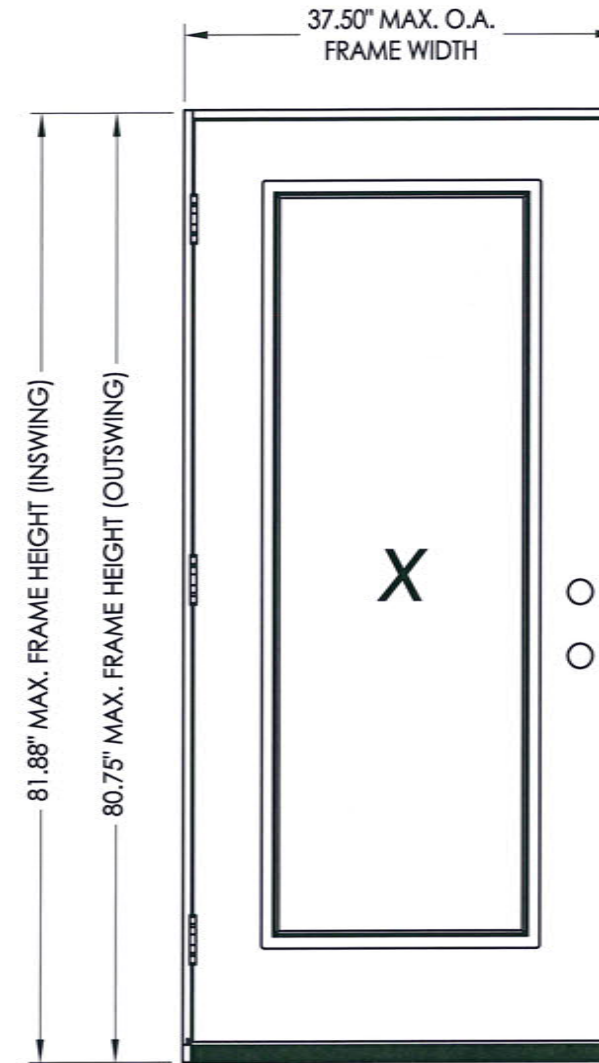
GLAZED FIBERGLASS DOOR INSWING / OUTSWING "NON-IMPACT"

GENERAL NOTES

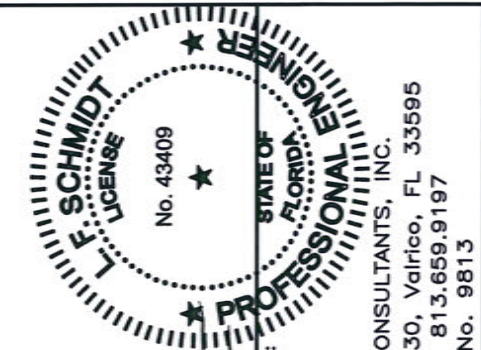
1. This product has been evaluated and is in compliance with the 5th Edition (2014) Florida Building Code (FBC) structural requirements excluding the "High Velocity Hurricane Zone" (HVHZ).
2. Product anchors shall be as listed and spaced as shown on details. Anchor embedment to base material shall be beyond wall dressing or stucco.
3. When used in areas requiring wind borne debris protection this product is required to be protected with an impact resistant covering that complies with Section 1609.1.2 of the FBC.
4. For 2x stud framing construction, anchoring of these units shall be the same as that shown for 2x buck masonry construction.
5. Site conditions that deviate from the details of this drawing require further engineering analysis by a licensed engineer or registered architect.

TABLE OF CONTENTS

SHEET#	DESCRIPTION
1	Typical elevations, design pressures & general notes
2	Door panel details - flush glazing
3	Door panel details - lip lite glazing
4	Horizontal cross sections
5	Vertical cross sections
6	Buck and frame anchoring
7	Components
8	Bill of materials



MAX. FRAME DIMENSION	JAMB TYPE	DESIGN PRESSURE (PSF) FLUSH GLAZED FRAME		DESIGN PRESSURE (PSF) LIP LITE GLAZED FRAME	
		POSITIVE	NEGATIVE	POSITIVE	NEGATIVE
37.50" x 81.88"	WOOD	+ 70.0	- 70.0	+ 47.0	- 47.0
	PVC FIBERGLASS/COMP	+ 60.0	- 60.0	+ 47.0	- 47.0



Documents Prepared By:
Lyndon F. Schmidt
P.E. No. 43409

RW

BUILDING CONSULTANTS, INC.
P.O. Box 230, Valrico, FL 33595
Phone No.: 813.659.9197
FBPE C.A. No. 9813

PRODUCT: TRINITY GLASS INT'L

PART OR ASSEMBLY:
TYPICAL ELEVATION, DESIGN PRESSURES & GENERAL NOTES

NO.	DATE	REVISIONS
3	03/02/15	UPDATE TO 5TH ED. (2014) FBC
2	12/16/14	ADDED PVC JAMB/LOCK HRDWR
1	3/27/12	ADDED GLAZING DETAIL

DATE: 1/18/12

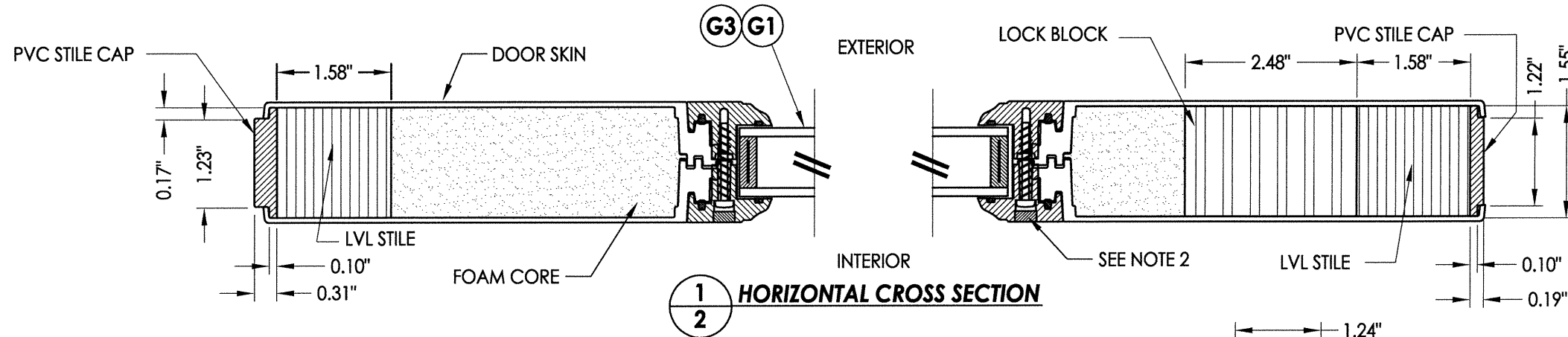
SCALE: N.T.S.

DWG. BY: JK

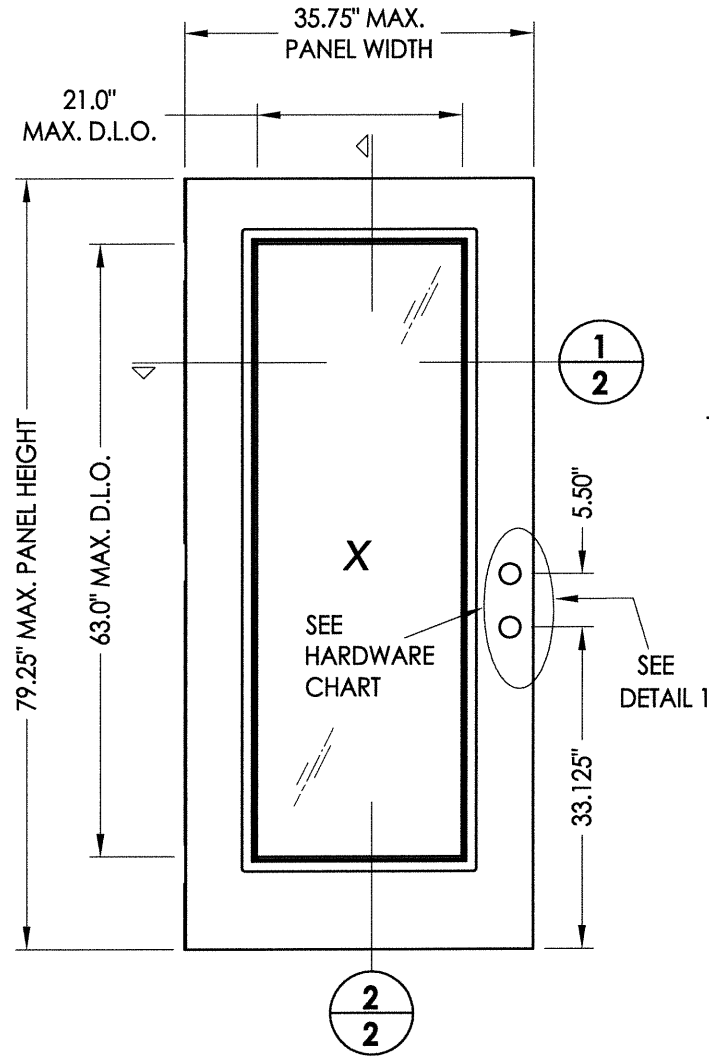
CHK. BY: LFS

DRAWING NO.: FL-15129.5

SHEET 1 OF 8

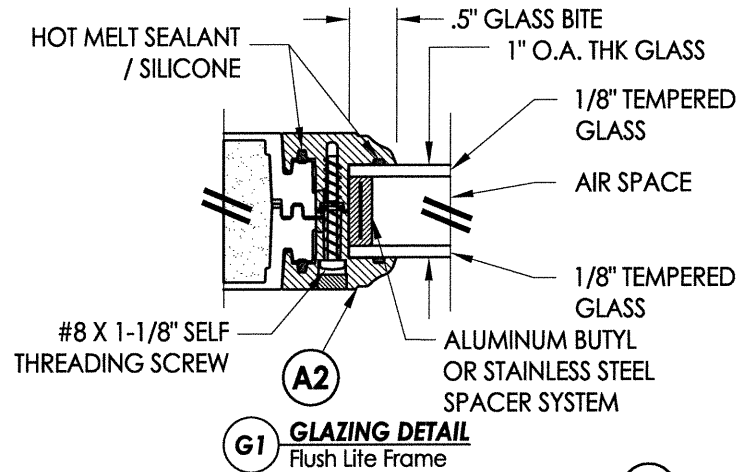


1
2 HORIZONTAL CROSS SECTION

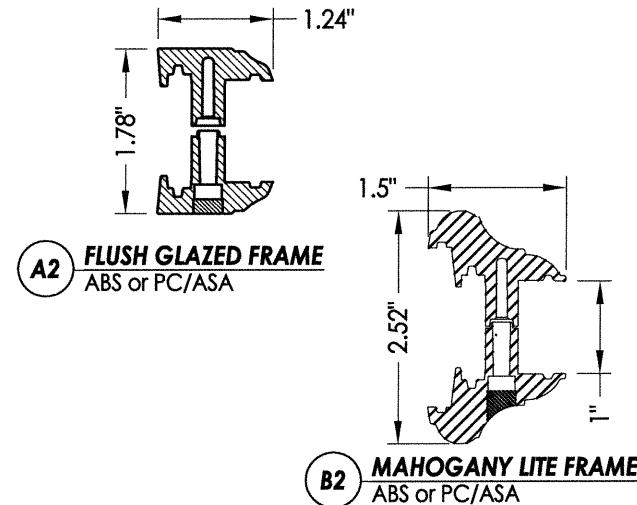


40 FIBERGLASS DOOR with FLUSH GLAZING

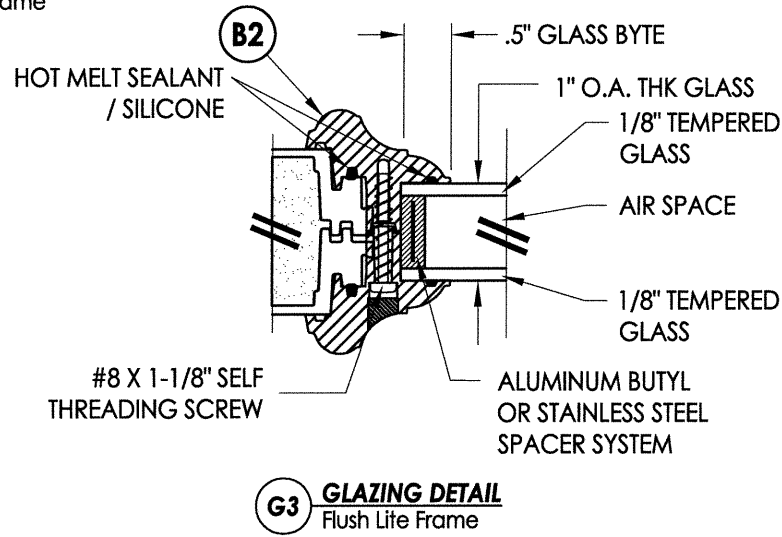
FIBERGLASS DOOR SKIN: MIN. 0.070\"/>



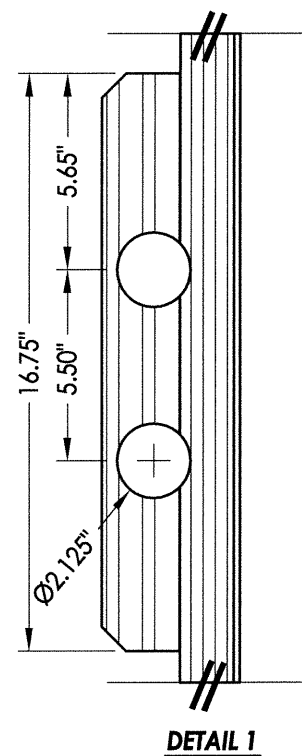
A2 GLAZING DETAIL
Flush Lite Frame



B2 MAHOGANY LITE FRAME
ABS or PC/ASA

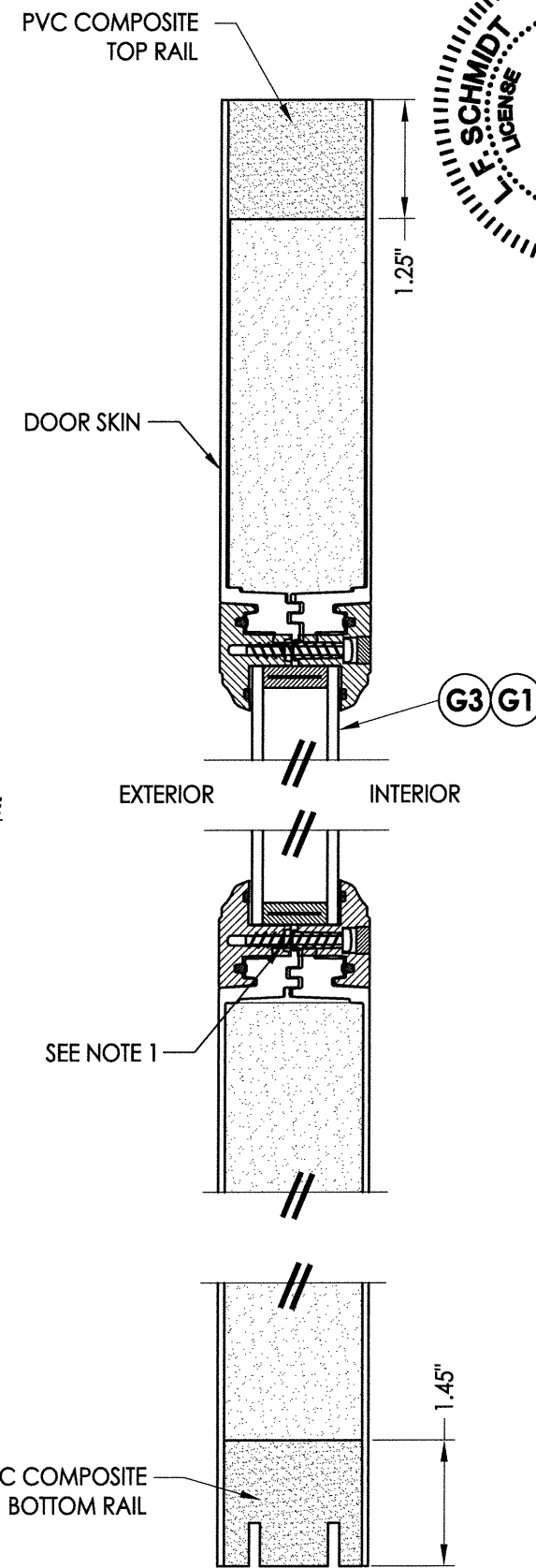


B3 GLAZING DETAIL
Flush Lite Frame

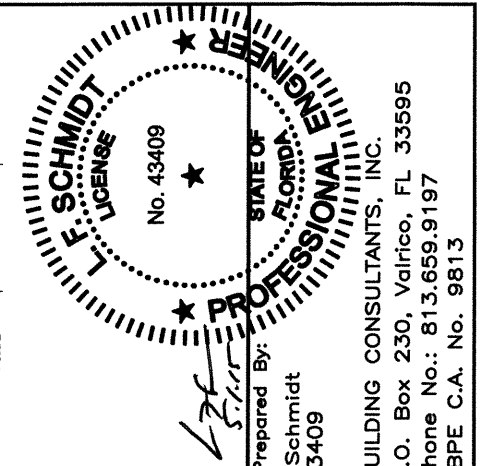


DETAIL 1

HARDWARE CHART	
MANUFACTURER	MODEL
KWIKSET	KNOB: SIGNATURE SERIES DEADBOLT: SIGNATURE SERIES (980)
KWIKSET	KNOB & DEADBOLT: SIGNATURE SERIES COMBO PACK (991)
SCHLAGE	KNOB: F SERIES DEADBOLT: B60 SERIES



2
2 VERTICAL CROSS SECTION



Documents Prepared By:
Lyndon F. Schmidt
P.E. No. 43409

RW
BUILDING CONSULTANTS, INC.
P.O. Box 230, Valrico, FL 33595
Phone No.: 813.659.9197
FBPE C.A. No. 9813

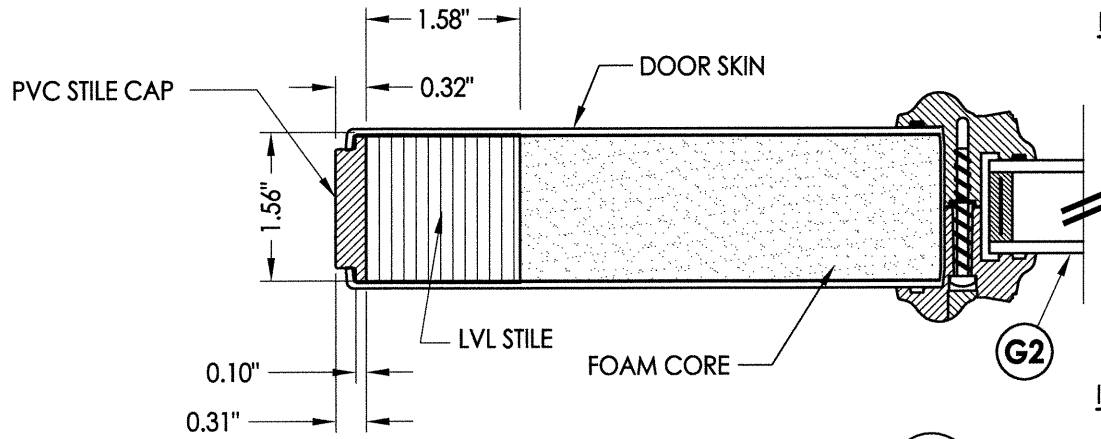
PRODUCT: TRINITY GLASS INT'L

PART OR ASSEMBLY: DOOR PANEL DETAILS
FLUSH GLAZING

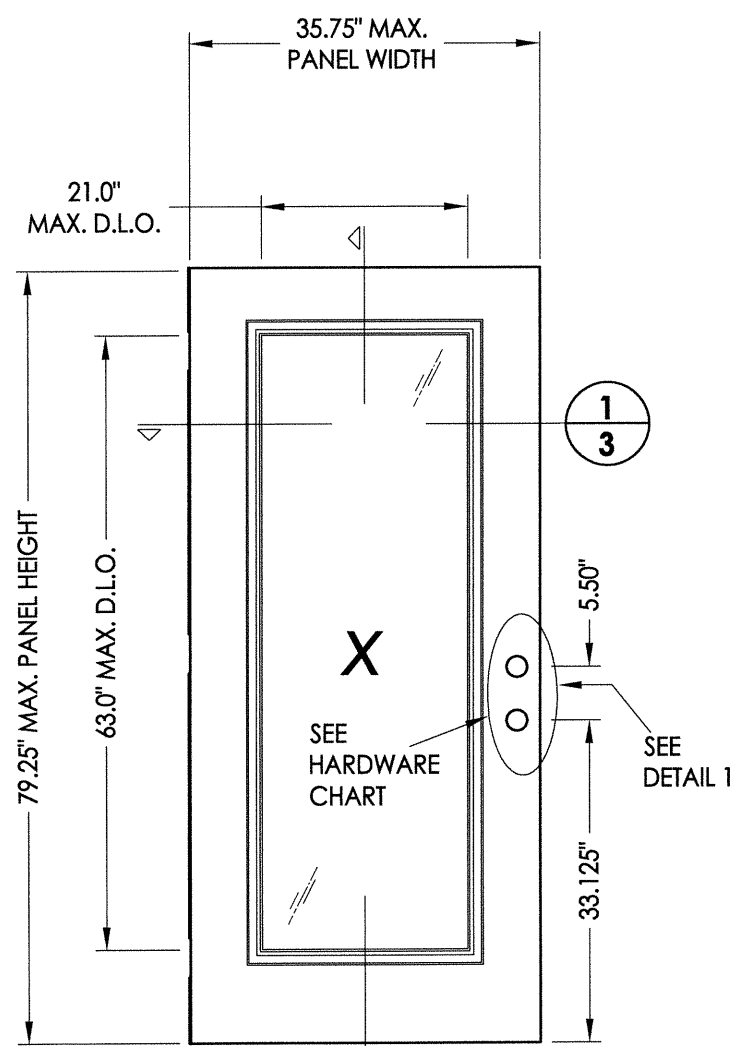
NO.	DATE	BY	REVISIONS
3	03/02/15	JK	UPDATE TO 5TH ED. (2014) FBC
2	12/16/14	LFS	ADDED PVC JAMB/LOCK HRDWR
1	3/27/12	LFS	ADDED GLAZING DETAIL

DATE: 1/18/12
SCALE: N.T.S.
DWG. BY: JK
CHK. BY: LFS
DRAWING NO.: FL-15129.5
SHEET 2 OF 8

R:\Clients\Trinity PERMANENT\Florida Product Approvals\FL-15129\Drawings\Current\FL-15129.5-8.dwg, 3.5

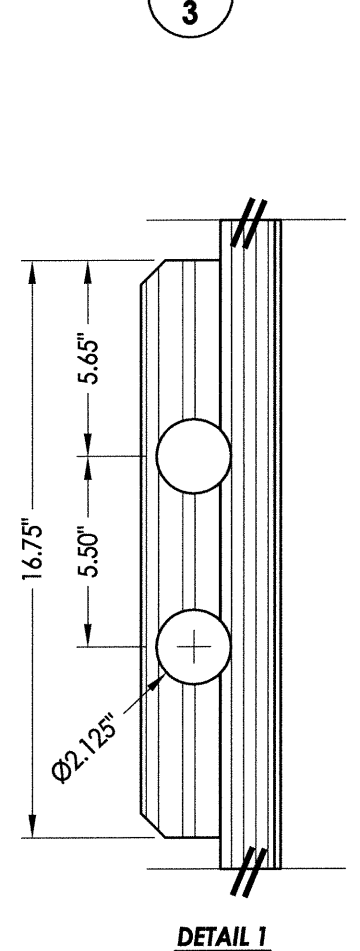


1 HORIZONTAL CROSS SECTION



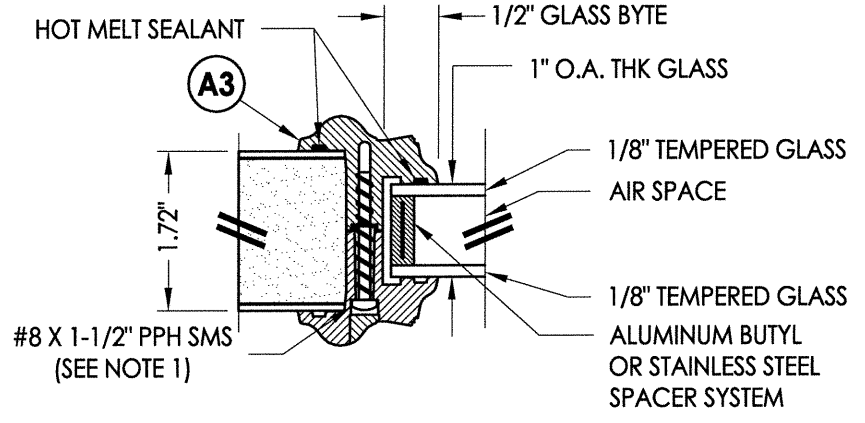
40 FIBERGLASS DOOR PANEL
with LIP LITE GLAZING

FIBERGLASS DOOR SKIN: MIN. 0.070\"/>

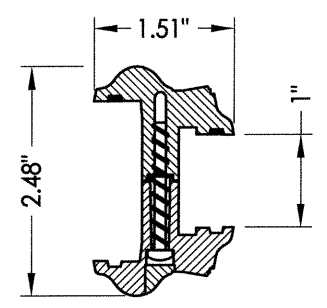


DETAIL 1

NOTE:
1. Spacing for lite frame screw is as follows:
Top and Bottom: 2\"/>

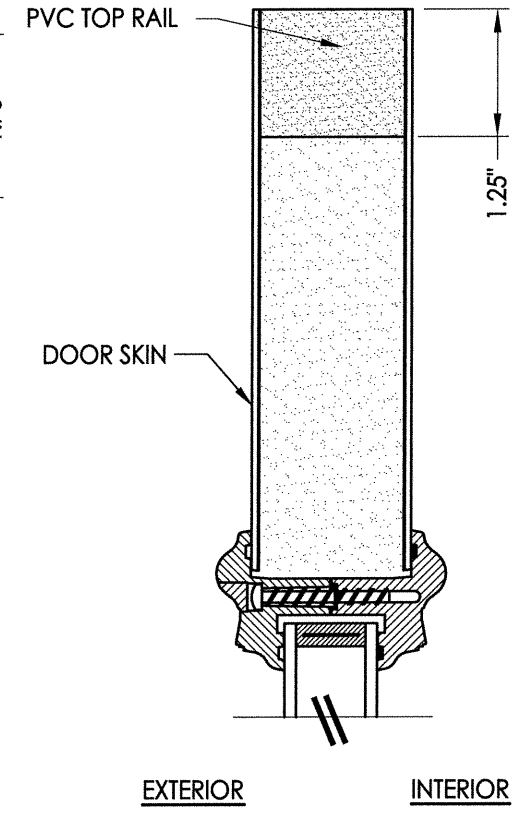


G2 GLAZING DETAIL
Lip Lite Frame

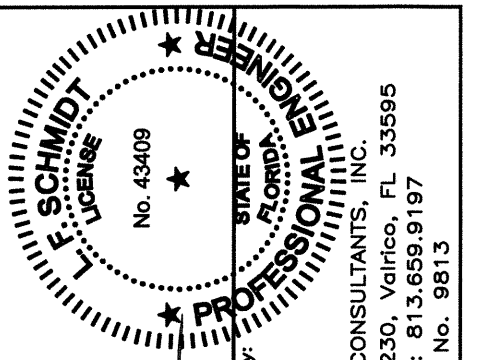


A3 LIP LITE FRAME
ABS or PC/ASA

HARDWARE CHART	
MANUFACTURER	MODEL
KWIKSET	KNOB: SIGNATURE SERIES
	DEADBOLT: SIGNATURE SERIES (980)
KWIKSET	KNOB & DEADBOLT: SIGNATURE SERIES COMBO PACK (991)
SCHLAGE	KNOB: F SERIES
	DEADBOLT: B60 SERIES



2 VERTICAL CROSS SECTION



Documents Prepared By:
Lyndon F. Schmidt
P.E. No. 43409

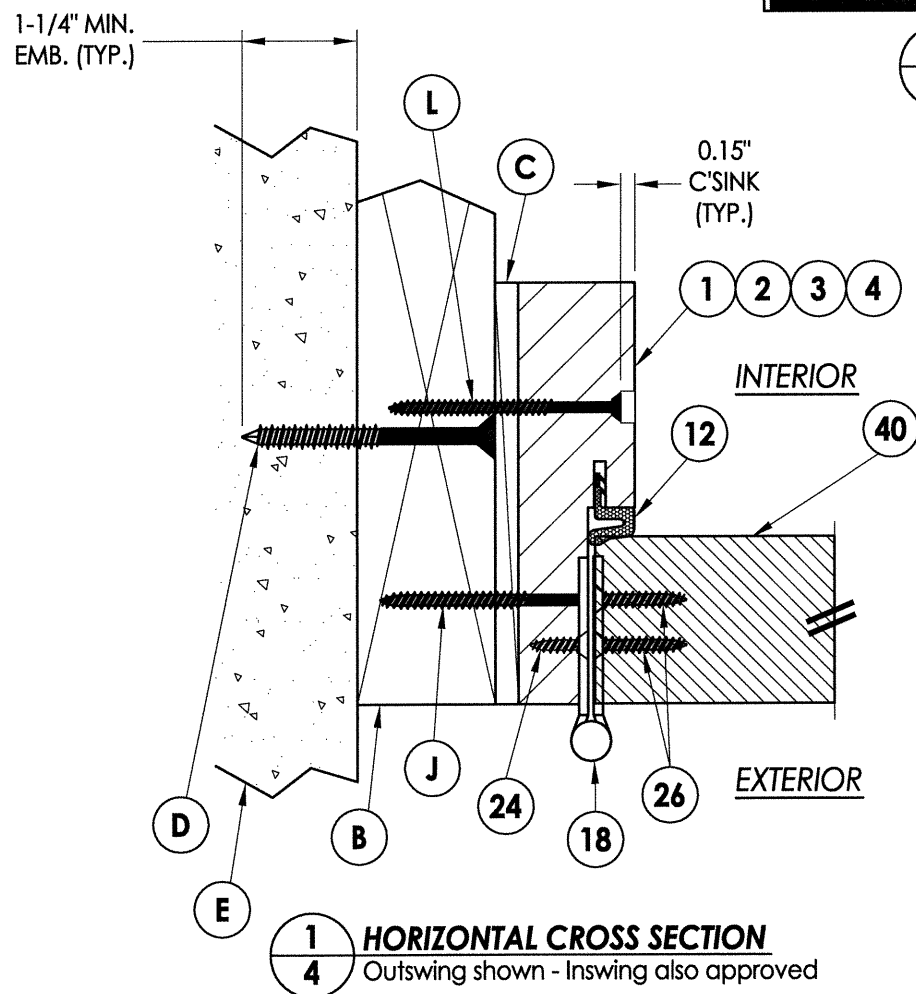
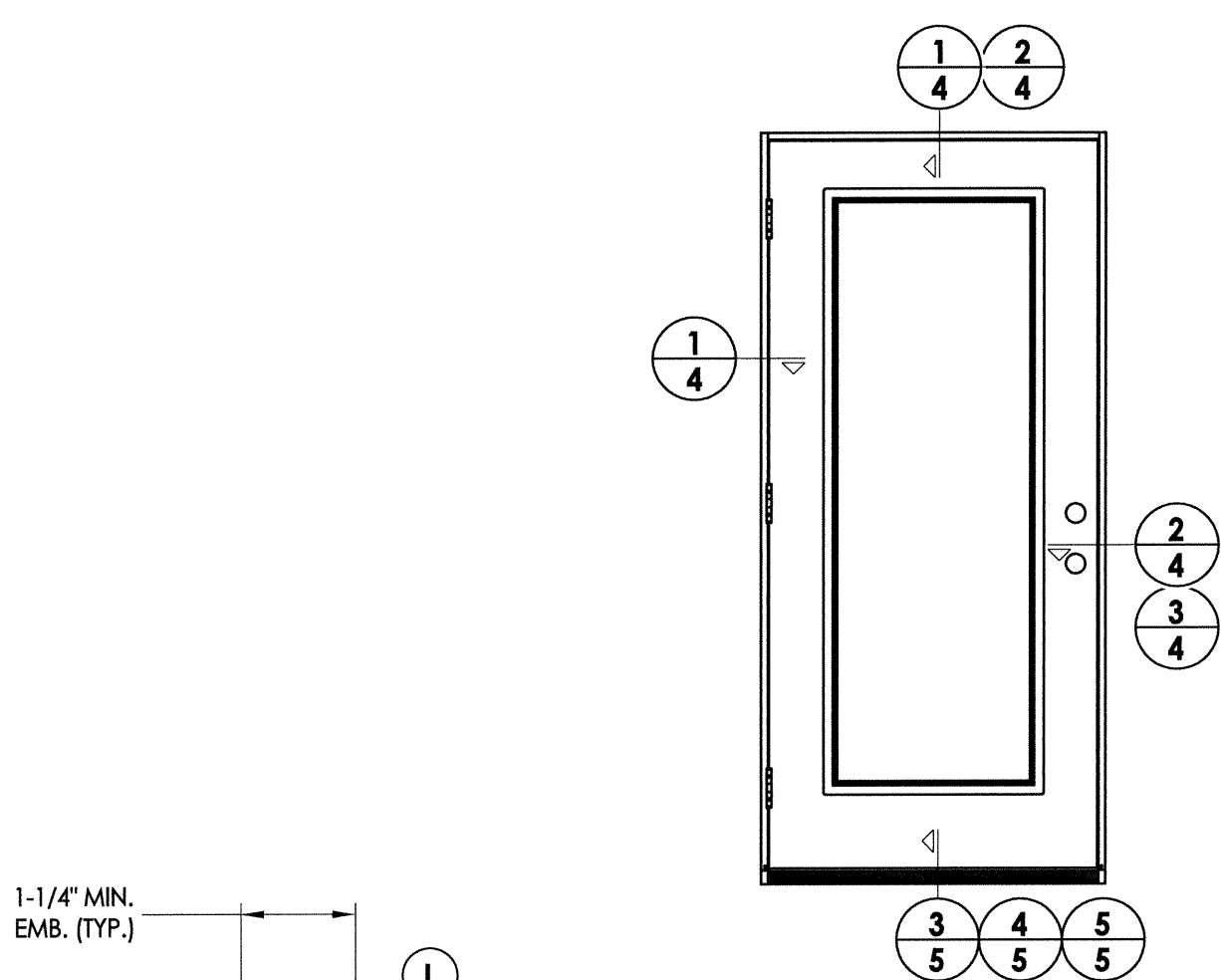
R.W.
BUILDING CONSULTANTS, INC.
P.O. Box 230, Valrico, FL 33595
Phone No.: 813.659.9197
FBPE C.A. No. 9813

PRODUCT: TRINITY GLASS INT'L

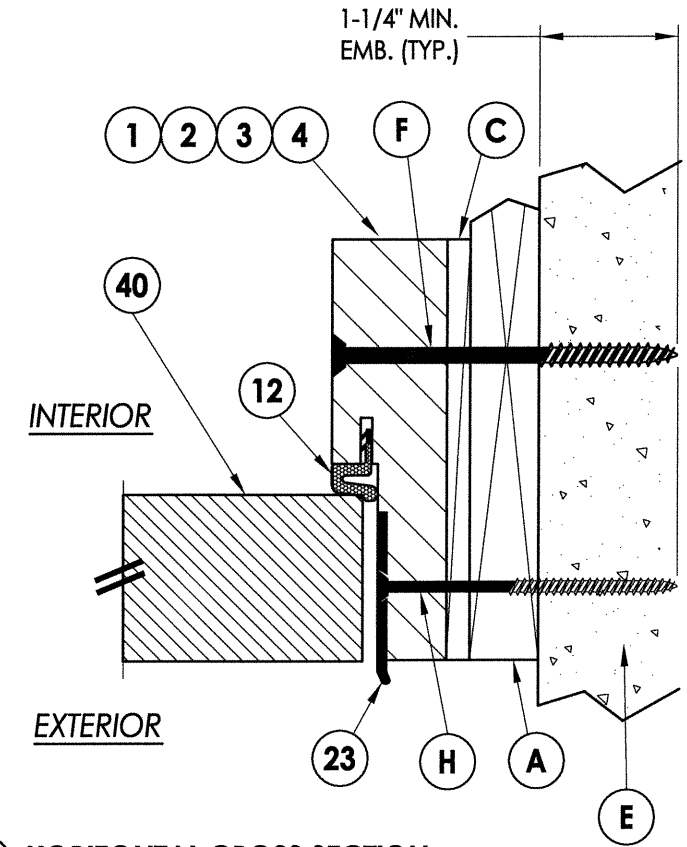
PART OR ASSEMBLY: DOOR PANEL DETAILS
LIP LITE GLAZING

REVISIONS	
NO.	DATE
3	03/02/15
2	12/16/14
1	3/27/12

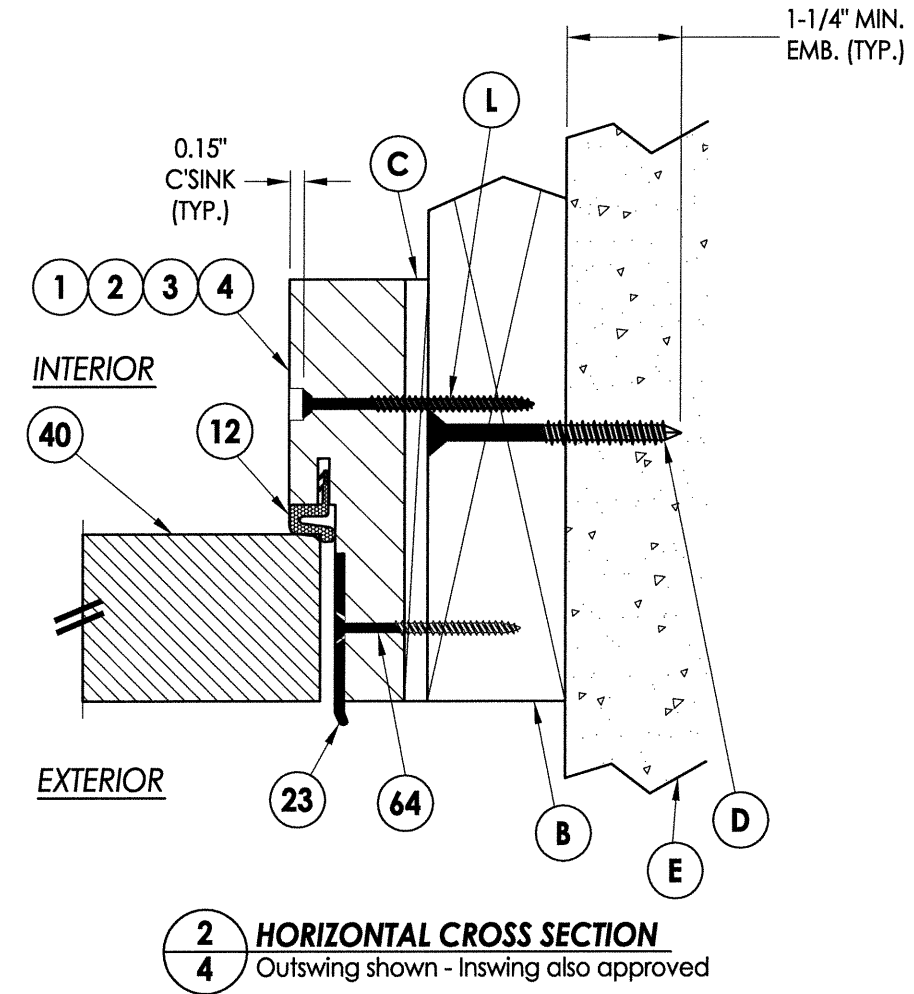
DATE: 1/18/12
SCALE: N.T.S.
DWG. BY: JK
CHK. BY: LFS
DRAWING NO.: FL-15129.5
SHEET 3 OF 8



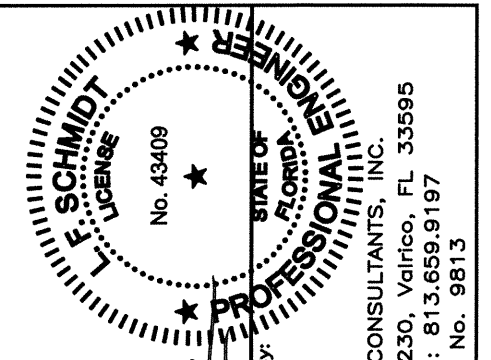
1 HORIZONTAL CROSS SECTION
4 Outswing shown - Inswing also approved



3 HORIZONTAL CROSS SECTION
4 Shown w/1X sub-buck



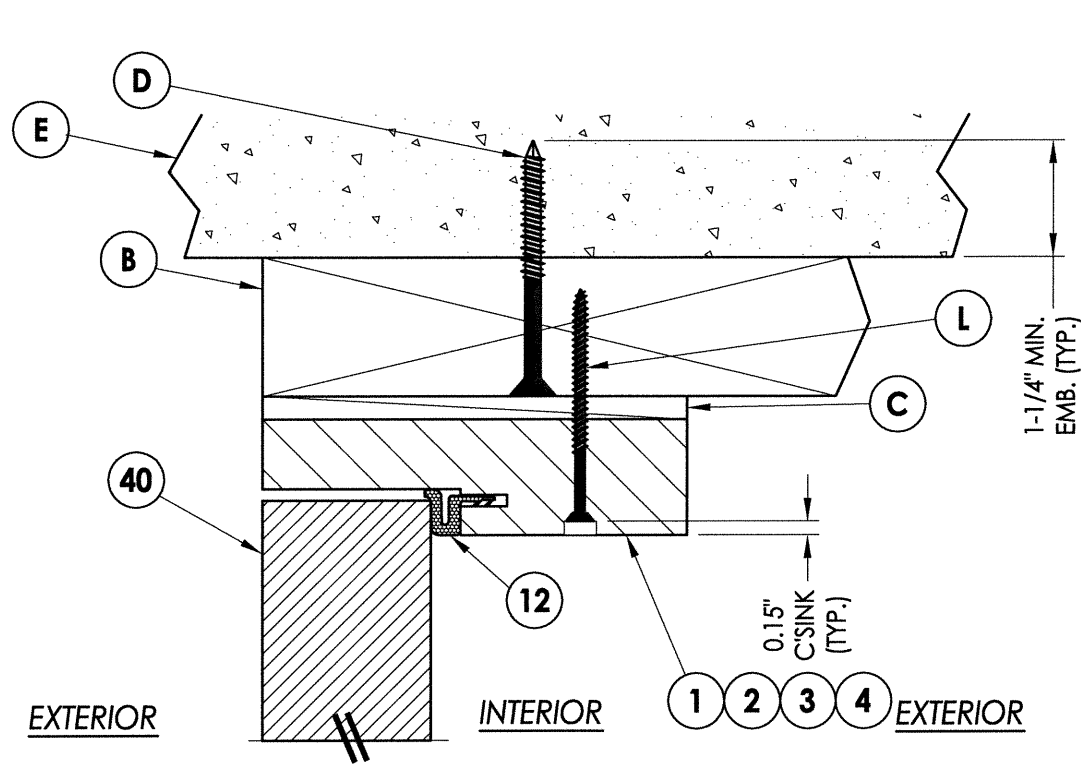
2 HORIZONTAL CROSS SECTION
4 Outswing shown - Inswing also approved



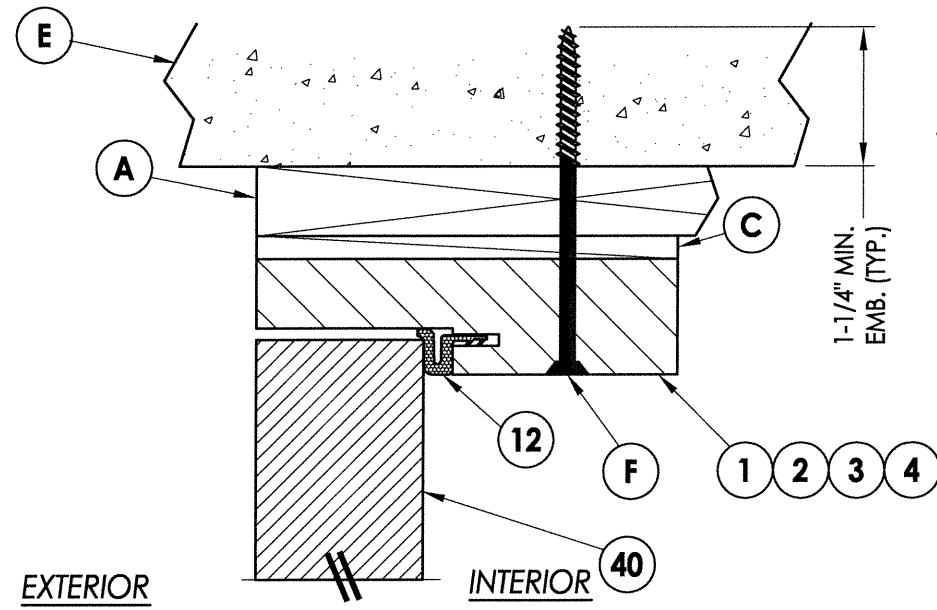
Documents Prepared By:
 Lyndon F. Schmidt
 P.E. No. 43409

R.W. BUILDING CONSULTANTS, INC.
 P.O. Box 230, Valrico, FL 33595
 Phone No.: 813.659.9197
 FBPE C.A. No. 9813

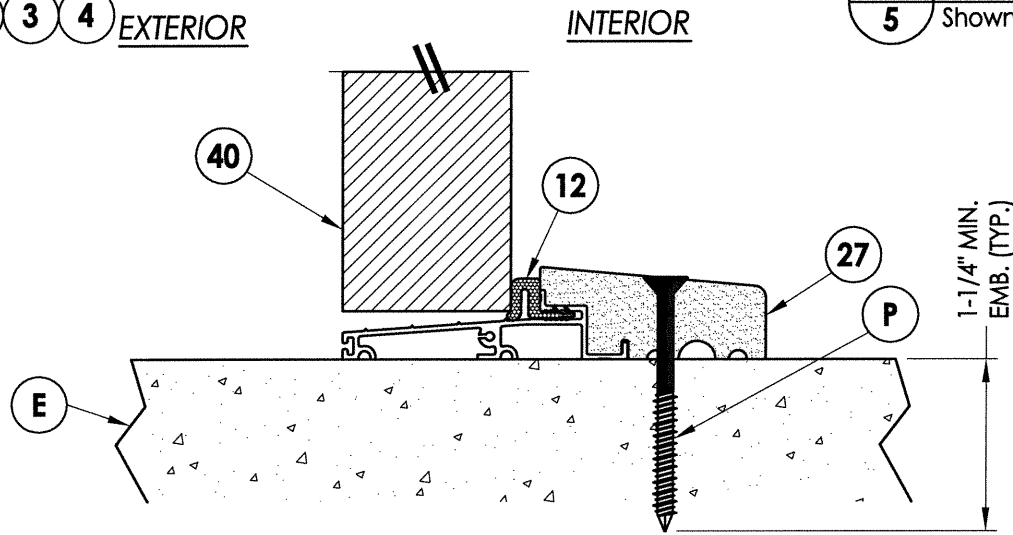
PRODUCT:		TRINITY GLASS INT'L	
PART OR ASSEMBLY:		HORIZONTAL CROSS SECTIONS	
NO.	DATE	BY	REVISIONS
3	03/02/15	JK	UPDATE TO 5TH ED. (2014) FBC
2	12/16/14	LFS	ADDED PVC JAMB/LOCK HRDWR
1	3/27/12	LFS	ADDED GLAZING DETAIL
DATE: 1/18/12			
SCALE: N.T.S.			
DWG. BY: JK			
CHK. BY: LFS			
DRAWING NO.: FL-15129.5			
SHEET 4 OF 8			



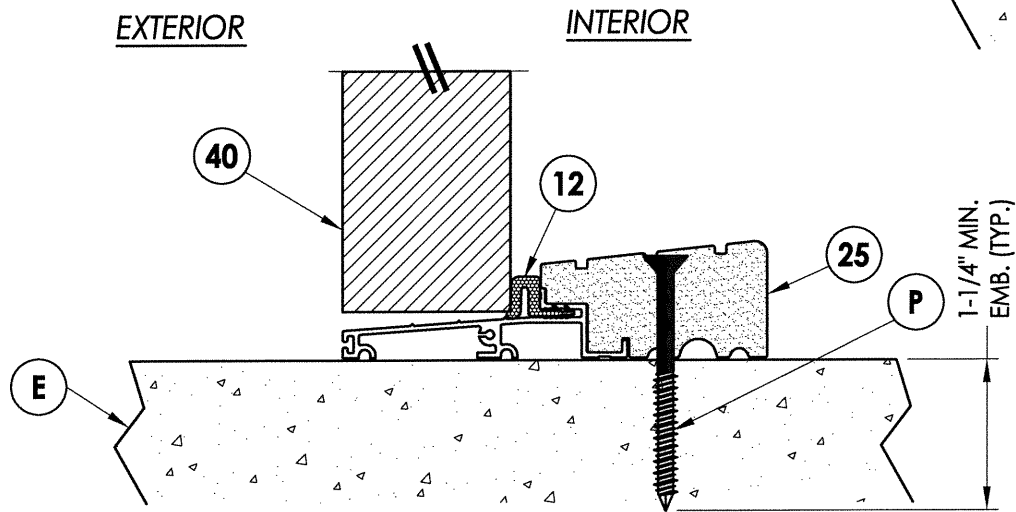
1 VERTICAL CROSS SECTION
5 Outswing shown
 Inswing also approved



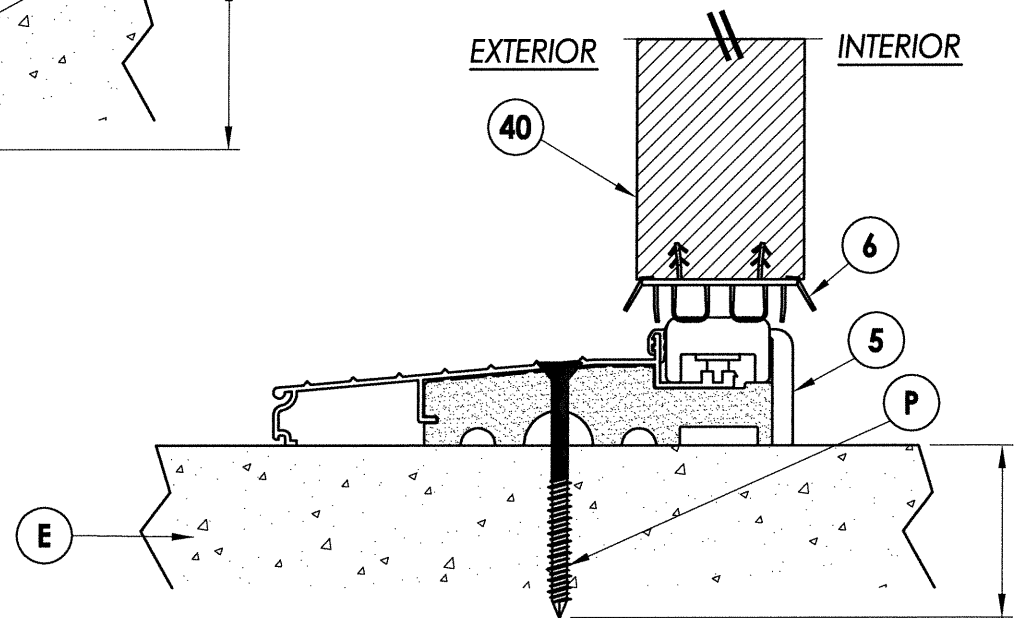
2 VERTICAL CROSS SECTION
5 Shown w/1X sub-buck



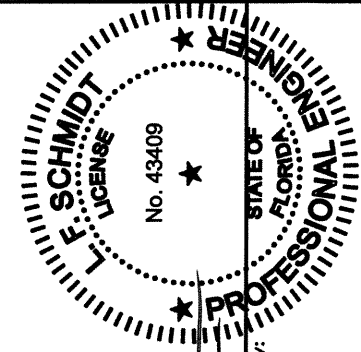
4 VERTICAL CROSS SECTION
5 Outswing sill



3 VERTICAL CROSS SECTION
5 Outswing sill - high dam



5 VERTICAL CROSS SECTION
5 Inswing sill



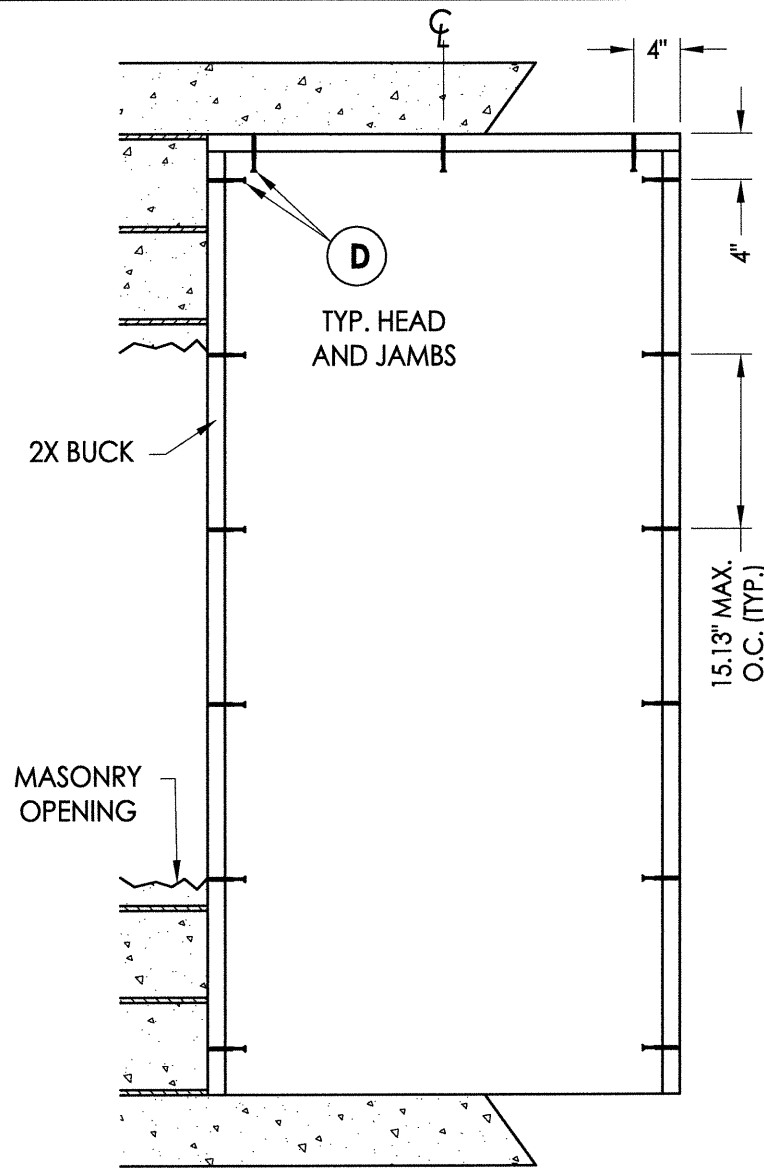
LFS
5/11/12

Documents Prepared By:
 Lyndon F. Schmidt
 P.E. No. 43409
RW BUILDING CONSULTANTS, INC.
 P.O. Box 230, Valrico, FL 33595
 Phone No.: 813.659.9197
 FBPE C.A. No. 9813

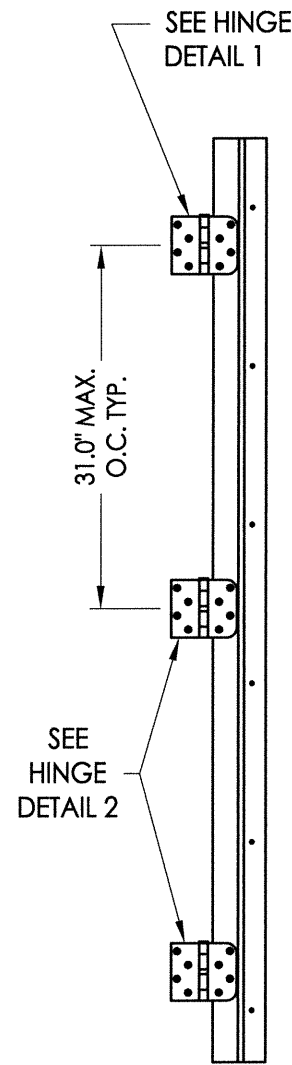
PRODUCT: TRINITY GLASS INT'L
 PART OR ASSEMBLY: VERTICAL CROSS SECTIONS

NO.	DATE	BY	REVISIONS
3	03/02/15	JK	UPDATE TO 5TH ED. (2014) FBC
2	12/16/14	LFS	ADDED PVC JAMB/LOCK HRDWR
1	3/27/12	LFS	ADDED GLAZING DETAIL

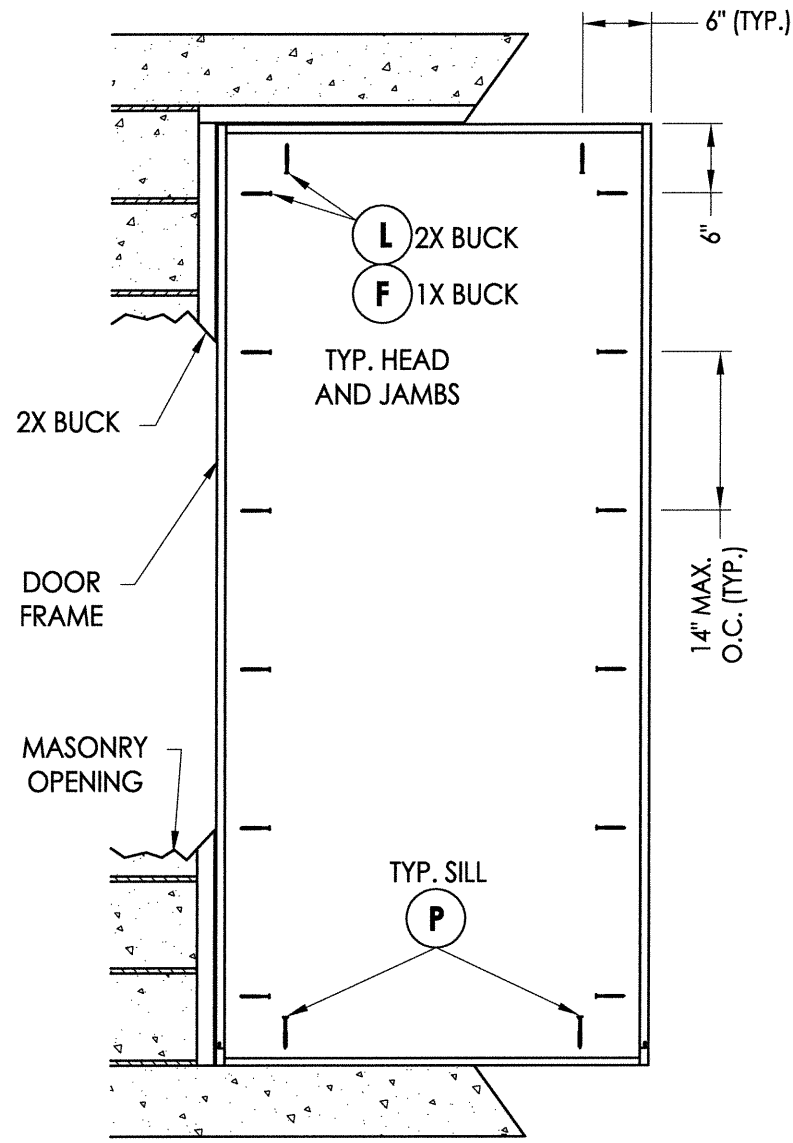
DATE: 1/18/12
 SCALE: N.T.S.
 DWG. BY: JK
 CHK. BY: LFS
 DRAWING NO.: FL-15129.5
 SHEET 5 OF 8



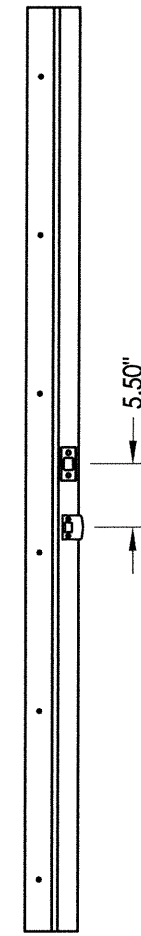
BUCK ANCHORING



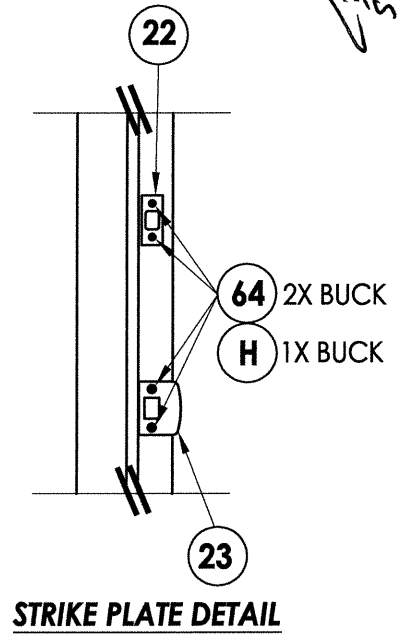
HINGE JAMB



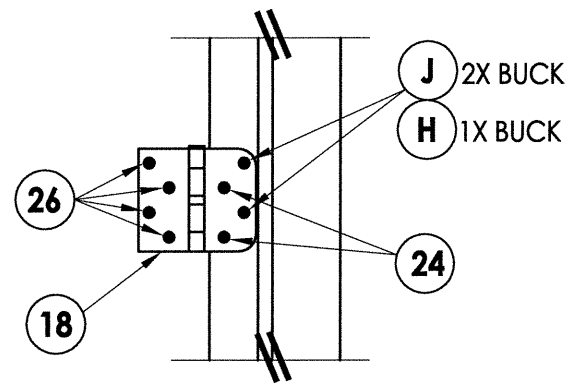
FRAME ANCHORING
Masonry construction



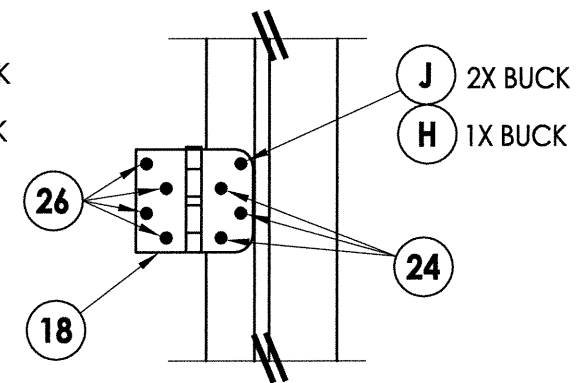
STRIKE JAMB



STRIKE PLATE DETAIL



HINGE DETAIL 1



HINGE DETAIL 2

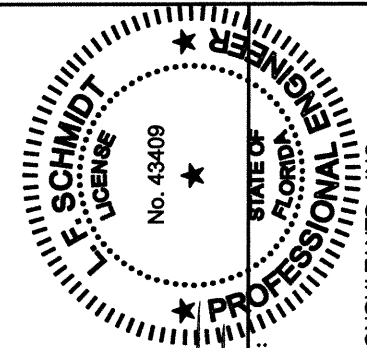
CONCRETE ANCHOR NOTES:

- Concrete anchor locations at the corners may be adjusted to maintain the min. edge distance to mortar joints.
- Concrete anchor locations noted as "MAX. ON CENTER" must be adjusted to maintain the min. edge distance to mortar joints, additional concrete anchors may be required to ensure the "MAX. ON CENTER" dimension are not exceeded.
- Concrete anchor table:

ANCHOR TYPE	ANCHOR SIZE	MIN. EMBEDMENT	MIN. CLEARANCE TO MASONRY EDGE	MIN. CLEARANCE TO ADJACENT ANCHOR
ITW BUILDEX TAPCON®	3/16"	1-1/4"	3"	1-1/2"
ELCO ULTRACON®	1/4"	1-1/4"	2"	4"

WOOD SCREW INSTALLATION NOTES:

- Maintain a minimum 5/8" edge distance, 1" end distance, & 1" o.c. spacing of wood screws to prevent the splitting of wood.



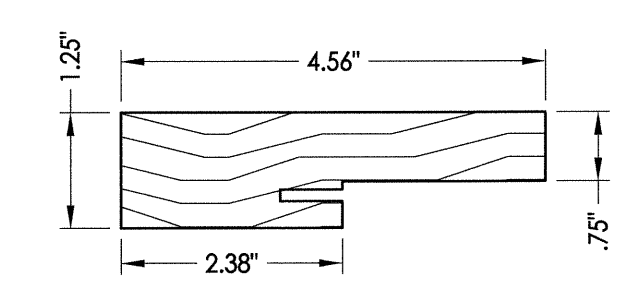
Documents Prepared By:
Lyndon F. Schmidt
P.E. No. 43409

R.W. BUILDING CONSULTANTS, INC.
P.O. Box 230, Valrico, FL 33595
Phone No.: 813.659.9197
FBPE C.A. No. 9813

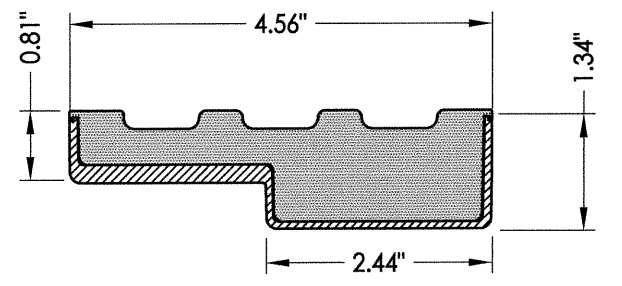
PRODUCT: TRINITY GLASS INT'L
PART OR ASSEMBLY: BUCK AND FRAME ANCHORING

NO.	DATE	BY	REVISIONS
3	03/02/15	JK	UPDATE TO 5TH ED. (2014) FBC
2	12/16/14	LFS	ADDED PVC JAMB/LOCK HRDWR
1	3/27/12	LFS	ADDED GLAZING DETAIL

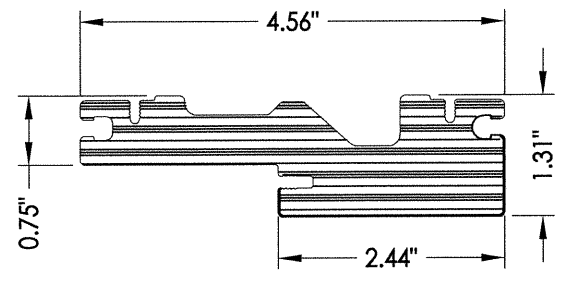
DATE: 1/18/12
SCALE: N.T.S.
DWG. BY: JK
CHK. BY: LFS
DRAWING NO.: FL-15129.5
SHEET 6 OF 8



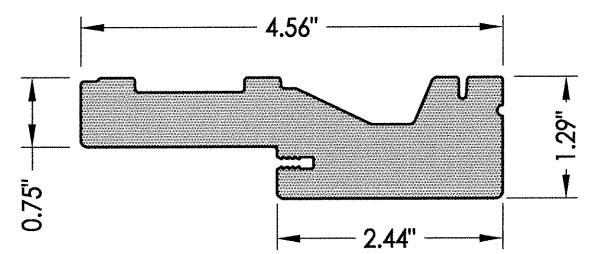
1 HEAD AND JAMBS
Wood



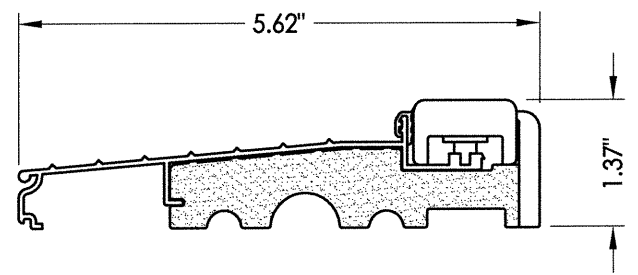
2 HEAD AND JAMBS
Composite PVC Base
w/ Fiberglass Wrap



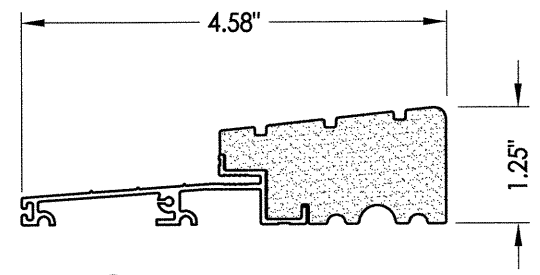
3 HEAD AND JAMBS
PVC



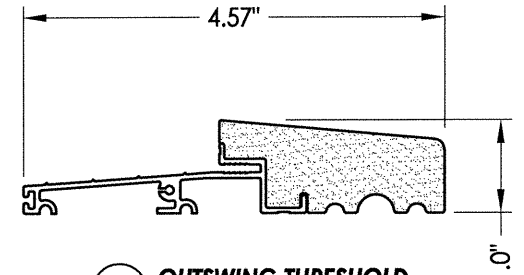
4 HEAD AND JAMBS
PVC



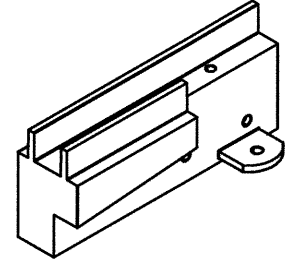
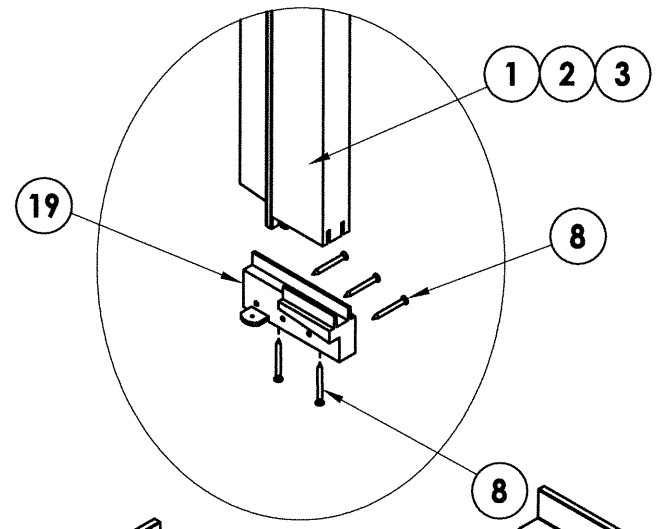
5 INSWING THRESHOLD



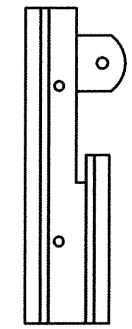
25 OUTSWING THRESHOLD
High-dam



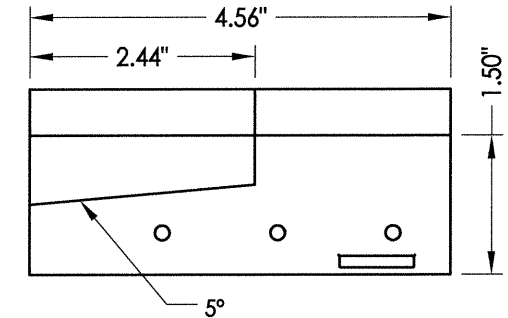
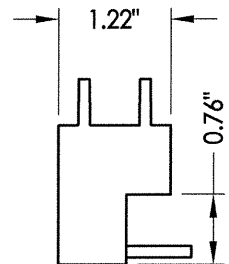
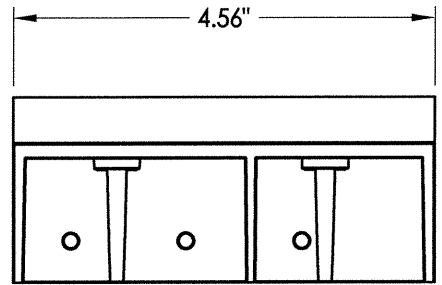
27 OUTSWING THRESHOLD



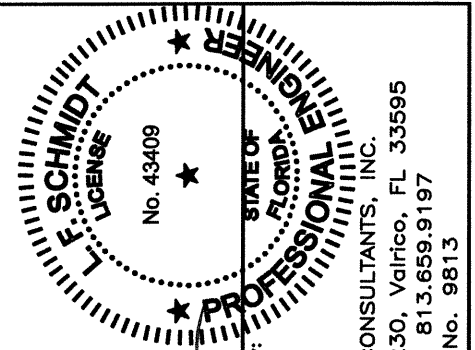
SILLKEY, LEFT
SCALE: NONE



SILLKEY, RIGHT
SCALE: NONE



19 SILLKEY DETAILS
Optional



Documents Prepared By:
Lyndon F. Schmidt
P.E. No. 43409

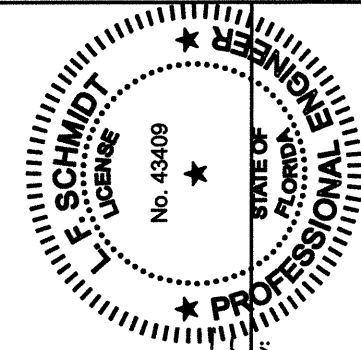
RW BUILDING CONSULTANTS, INC.
P.O. Box 230, Valrico, FL 33595
Phone No.: 813.659.9197
FBPE C.A. No. 9813

PRODUCT:	TRINITY GLASS INT'L
PART OR ASSEMBLY:	COMPONENTS

NO.	DATE	REVISIONS
3	03/02/15	UPDATE TO 5TH ED. (2014) FBC
2	12/16/14	ADDED PVC JAMB/LOCK HRDWR
1	3/27/12	ADDED GLAZING DETAIL

DATE:	1/18/12
SCALE:	N.T.S.
DWG. BY:	JK
CHK. BY:	LFS
DRAWING NO.:	FL-15129.5
SHEET	7 OF 8

BILL OF MATERIALS		
ITEM #	DESCRIPTION	MATERIAL
A	1X BUCK SG >= 0.55	WOOD
B	2X BUCK SG >= 0.55	WOOD
C	1/4" MAX. SHIM SPACE	-
D	1/4" X 2-3/4" PFH ELCO OR ITW CONCRETE SCREW	STEEL
E	MASONRY - 3,000 PSI MIN. CONCRETE CONFORMING TO ACI 301 OR HOLLOW BLOCK CONFORMING TO ASTM C90	CONCRETE
F	1/4" X 3-3/4" PFH ITW CONCRETE SCREW	STEEL
H	3/16" X 3-1/4" PFH ITW CONCRETE SCREW	STEEL
J	#9 X 2-1/4" PFH WS	STEEL
L	#8 X 2-1/2" PFH WS	STEEL
P	1/4" X 2-3/4" PFH ELCO OR ITW CONCRETE SCREW	STEEL
1	HEAD & JAMB (FINGER-JOINT PINE - SG >= 0.42)	WOOD
2	HEAD & JAMB	FIBERGLASS/COMP
3	HEAD & JAMB	PVC
4	HEAD & JAMB	PVC
5	INSWING THRESHOLD ALUMINUM W/ COMPOSITE SUBSTRATE	ALUMINUM
6	DOOR BOTTOM SWEEP	PVC
8	#6 X 1-1/4" PFH DRYWALL SCREW	STEEL
12	WEATHERSTRIP QEBD650 Q-LON	-
18	3.983" X 4.0" HINGE MIN 0.098" THICK	STEEL
19	SILLKEY	PC/ASA
22	DEADBOLT STRIKE PLATE	STEEL
23	LATCH STRIKE PLATE	STEEL
24	#9 X 5/8" PFH WS	STEEL
25	OUTSWING HIGH-DAM THRESHOLD ALUMINUM W/ COMPOSITE SUBSTRATE	ALUM./ COMP.
26	#9 X 1.0" PFH WS	STEEL
27	OUTSWING THRESHOLD ALUMINUM W/ COMPOSITE SUBSTRATE	ALUM./ COMP.
40	DOOR PANEL - SEE DOOR PANEL DETAIL SHEET FOR CONSTRUCTION DETAILS	-
64	#8 X 2" PFH WOOD SCREW	STEEL



Documents Prepared By:
Lyndon F. Schmidt
P.E. No. 43409

R.W. BUILDING CONSULTANTS, INC.
P.O. Box 230, Valrico, FL 33595
Phone No.: 813.659.9197
FBPE C.A. No. 9813

PRODUCT: TRINITY GLASS INT'L
PART OR ASSEMBLY: BILL OF MATERIALS

NO.	DATE	BY	REVISIONS
3	10/3/02/15	JK	UPDATE TO 5TH ED. (2014) FBC
2	12/16/14	LFS	ADDED PVC JAMB/LOCK HRDWR
1	3/27/12	LFS	ADDED GLAZING DETAIL

DATE: 1/18/12
SCALE: N.T.S.
DWG. BY: JK
CHK. BY: LFS
DRAWING NO.: FL-15129.5
SHEET 8 OF 8